

**AFFINITY**

**STONE SIDING**

**Get attached.**

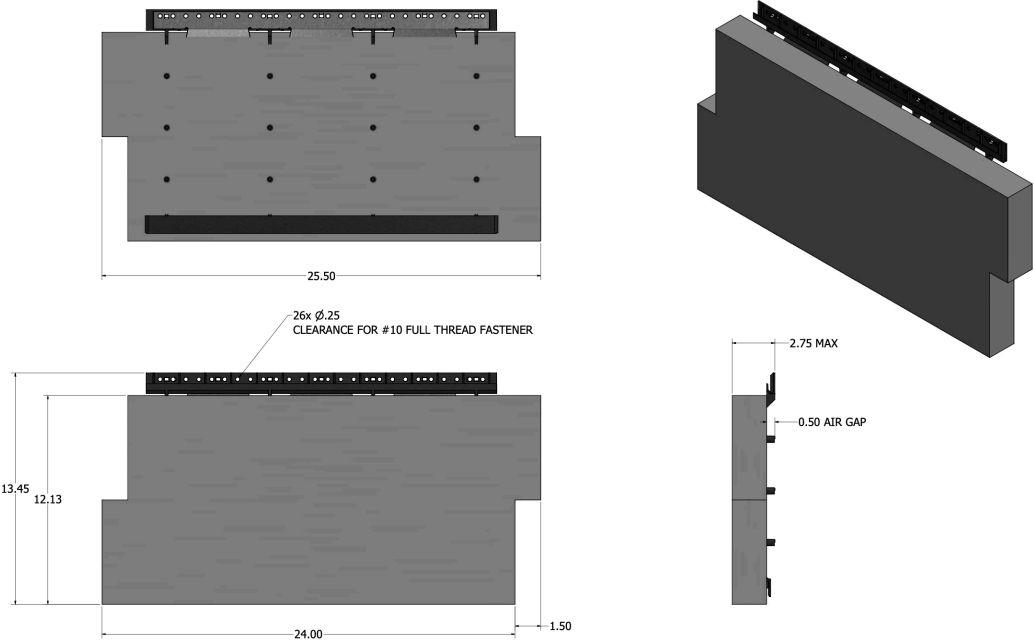
**TECHNICAL PRODUCT CATALOG  
2025**

SKU	COLOR
SCAS10030	Aspen
SCAS10100	Highland
SCAS10090	Redwood
SCAS10080	Glacier
SCAS10040	Yukon

UOM	Weight / Box	SqFt / Box	Pcs / Box	Boxes / Pallet
BOX	135	10	5	16

**Description:**

The Ridge Cut series stone sizes are 2", 4", and 6" tall and varying lengths from 3.5" to 15"



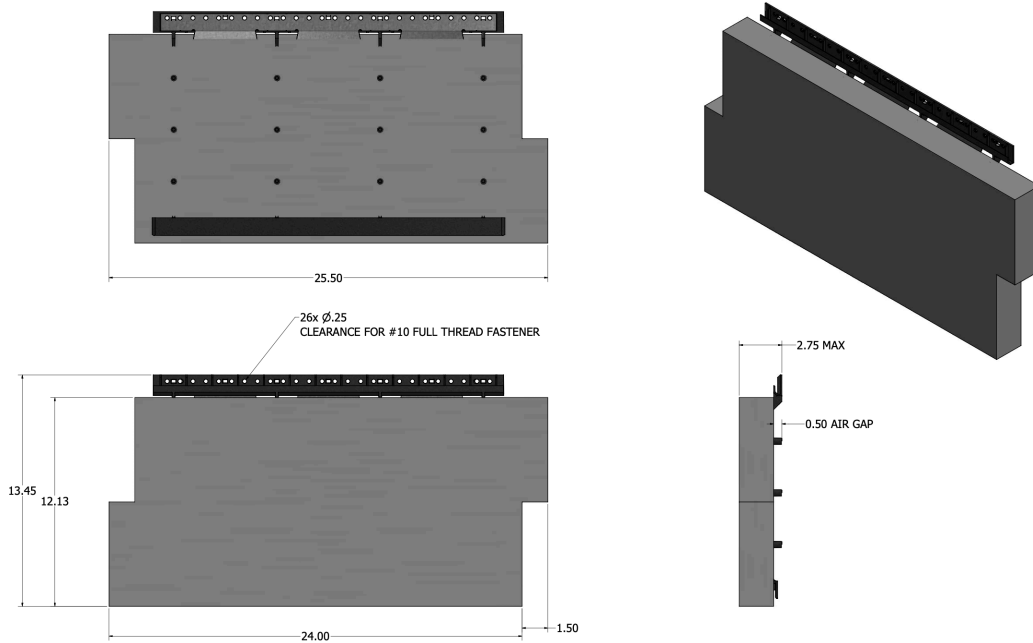
\*\* All dimensions are nominal \*\*

SKU	COLOR
SCAS10031	Aspen
SCAS10101	Highland
SCAS10091	Redwood
SCAS10081	Glacier
SCAS10041	Yukon

UOM	Weight / Box	SqFt / Box	Pcs / Box	Boxes / Pallet
BOX	135	10	5	16

**Description:**

‘Corners’ are exactly the same as flats but have a textured finish on the outside edges of the panel. Corner panels are used for outside corners only. Use ‘Flat’ panels for inside corners.



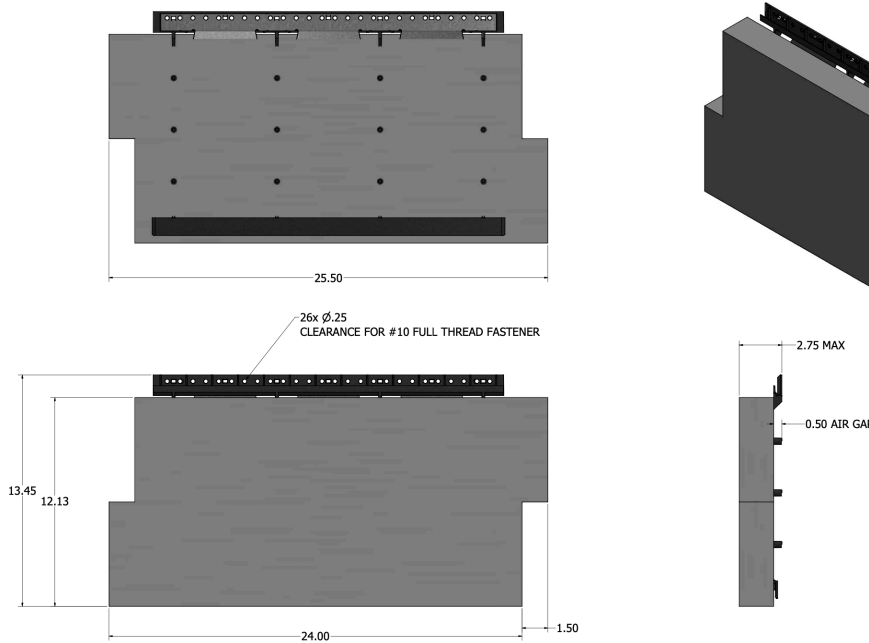
\*\* All dimensions are nominal \*\*

SKU	COLOR
SCAS05030	Aspen
SCAS05100	Highland
SCAS05090	Redwood
SCAS05080	Glacier
SCAS05040	Yukon

UOM	Weight / Box	SqFt / Box	Pcs / Box	Boxes / Pallet
BOX	135	10	5	16

**Description:**

The Cliff Ledge series stone sizes are 1.5” and 3” tall and varying lengths from 3.5” to 15”



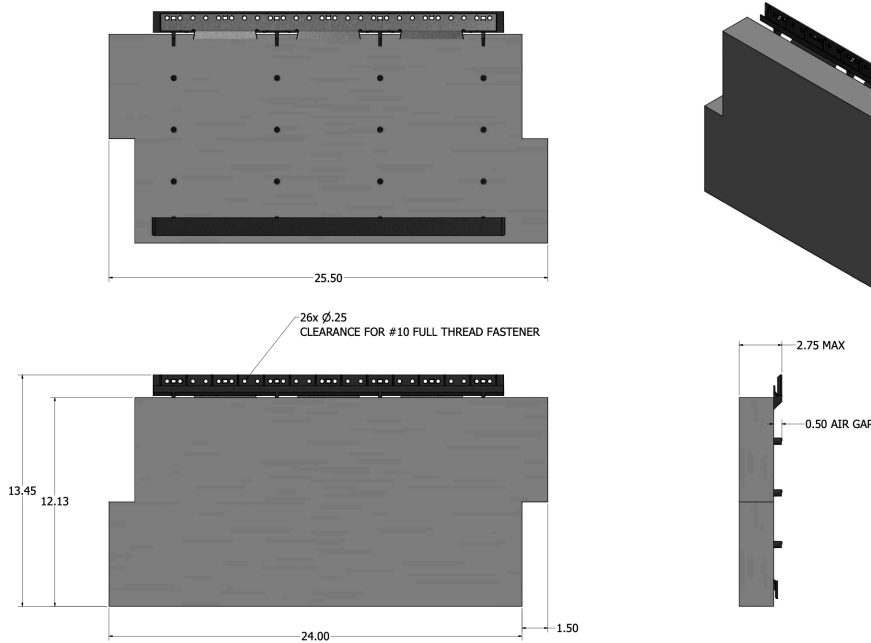
\*\* All dimensions are nominal \*\*

SKU	COLOR
SCAS05031	Aspen
SCAS05101	Highland
SCAS05091	Redwood
SCAS05081	Glacier
SCAS05041	Yukon

UOM	Weight / Box	SqFt / Box	Pcs / Box	Boxes / Pallet
BOX	135	10	5	16

**Description:**

'Corners' are exactly the same as flats but have a textured finish on the outside edges of the panel. Corner panels are used for outside corners only. Use 'Flat' panels for inside corners.



\*\* All dimensions are nominal \*\*

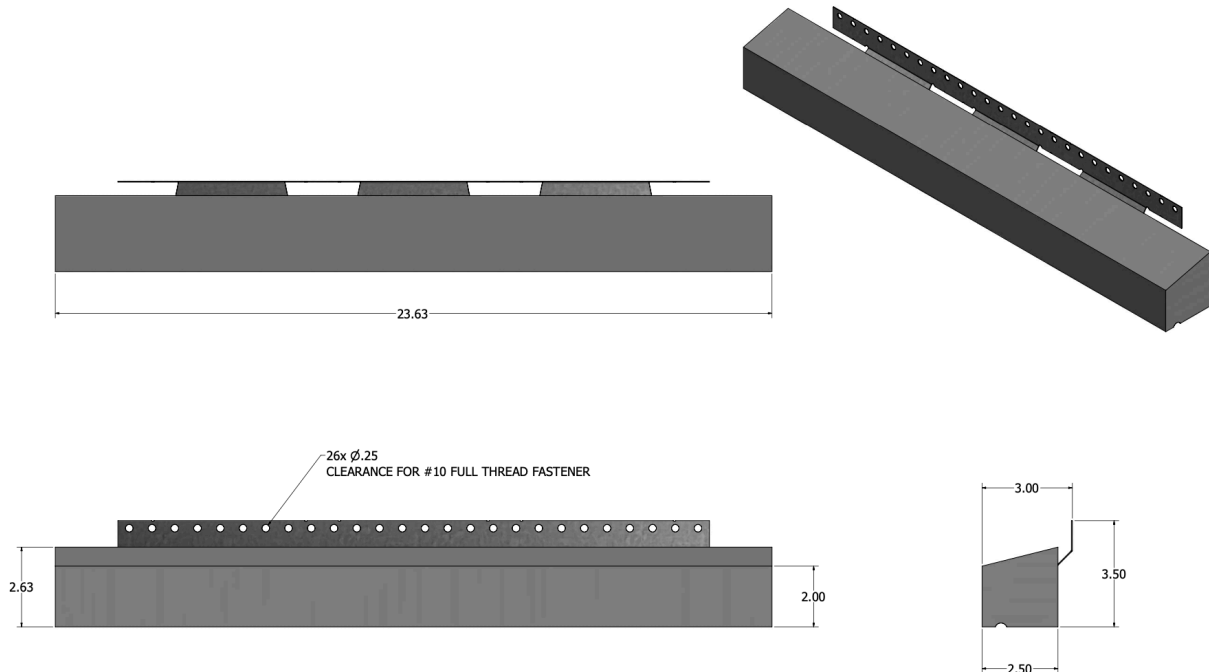
SKU	COLOR
SCAS60270	GRAY
SCAS60280	CHARCOAL
SCAS60290	IVORY
SCAS60300	SANDSTONE

STONE COLOR	COMPLEMENT	CONTRAST
ASPEN	GRAY	IVORY/CHARCOAL
HIGHLAND	GRAY/SANDSTONE	IVORY
REDWOOD	GRAY/SANDSTONE	IVORY
GLACIER	IVORY	CHARCOAL
YUKON	CHARCOAL	IVORY

UOM	Weight	Pcs / Box	Weight / Box	Boxes / Pallet
EACH	8	8	64	28

**Application:**

Traditional installation of stone panels, then wainscot cap, then siding



\*\* All dimensions are nominal \*\*

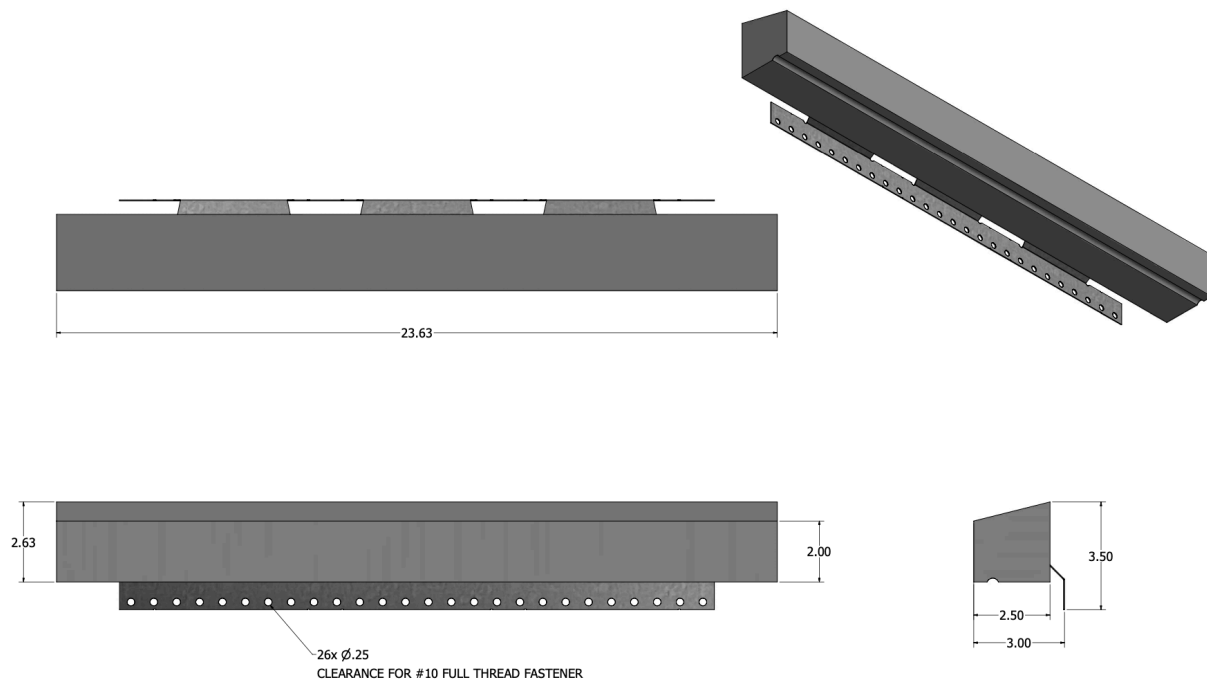
SKU	COLOR
SCAS60272	GRAY
SCAS60282	CHARCOAL
SCAS60292	IVORY
SCAS60302	SANDSTONE

STONE COLOR	COMPLEMENT	CONTRAST
ASPEN	GRAY	IVORY/CHARCOAL
HIGHLAND	GRAY/SANDSTONE	IVORY
REDWOOD	GRAY/SANDSTONE	IVORY
GLACIER	IVORY	CHARCOAL
YUKON	CHARCOAL	IVORY

UOM	Weight	Pcs / Box	Weight / Box	Boxes / Pallet
EACH	8	8	64	28

**Application:**

Installed where there isn't room for the nailing strip on top such as under windows. These are installed before the stone panels and then the panels are cut to height and slid in under the wainscot cap.



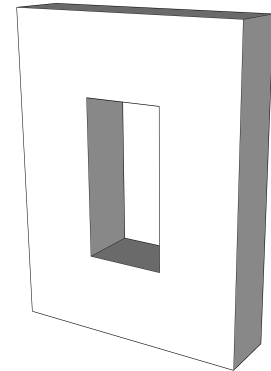
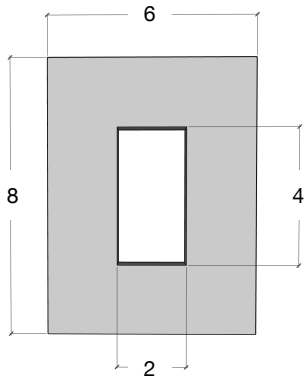
\*\* All dimensions are nominal \*\*

**Application:**

With all of the Utility Blocks, it's important during installation to make sure the back of the block is flush with the back of the panel. If you adhere the block to the wall, it will be recessed too much into the stone on the wall.

SKU	COLOR
SCAS75271	GRAY
SCAS75281	CHARCOAL
SCAS75291	IVORY
SCAS75301	SANDSTONE

UOM	Weight	Pcs / Box	Weight / Box
EACH	2.8	24	68



\*\* All dimensions are nominal \*\*

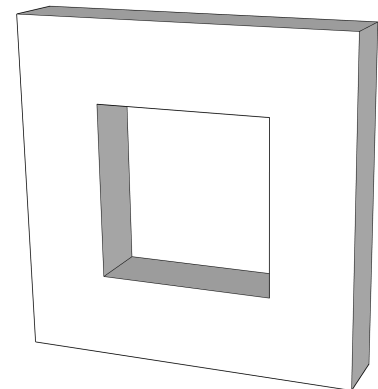
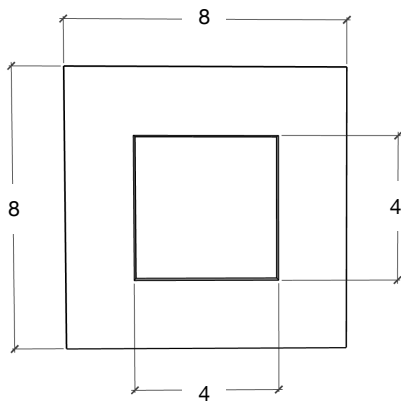


**Application:**

With all of the Utility Blocks, it's important during installation to make sure the back of the block is flush with the back of the panel. If you adhere the block to the wall, it will be recessed too much into the stone on the wall.

SKU	COLOR
SCAS75272	GRAY
SCAS75282	CHARCOAL
SCAS75292	IVORY
SCAS75302	SANDSTONE

UOM	Weight	Pcs / Box	Weight / Box
EACH	3.3	12	40



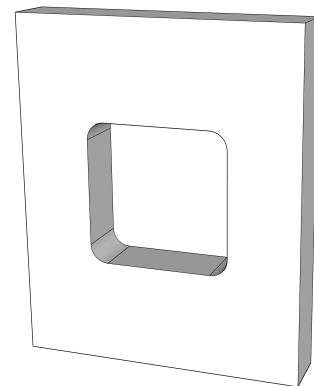
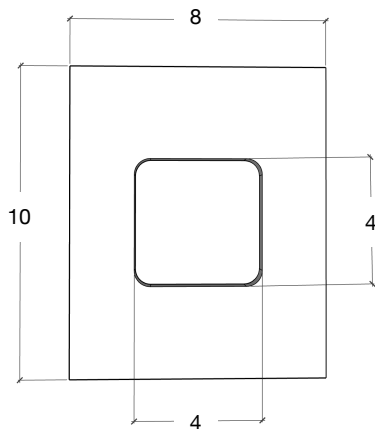
\*\* All dimensions are nominal \*\*

**Application:**

With all of the Utility Blocks, it's important during installation to make sure the back of the block is flush with the back of the panel. If you adhere the block to the wall, it will be recessed too much into the stone on the wall.

SKU	COLOR
SCAS75270	GRAY
SCAS75280	CHARCOAL
SCAS75290	IVORY
SCAS75300	SANDSTONE

UOM	Weight	Pcs / Box	Weight / Box
EACH	5.2	12	63



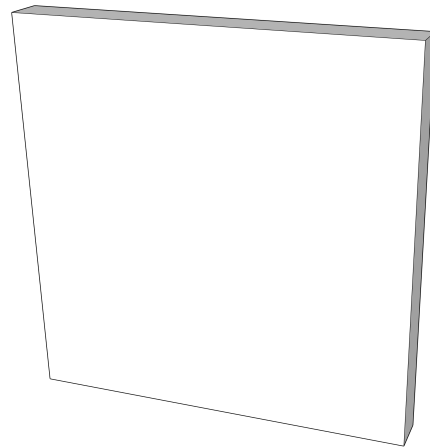
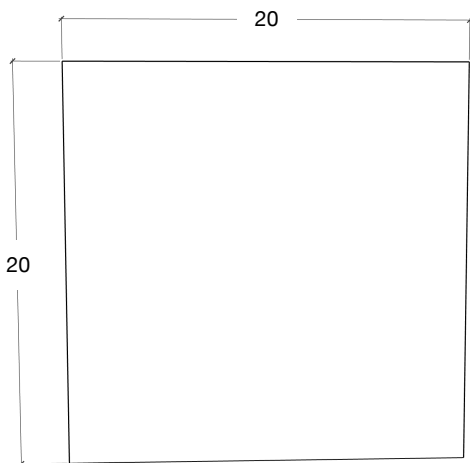
\*\* All dimensions are nominal \*\*

**Application:**

The nominal dimensions of our Hearthstones are 20” x 20” x 2”. Because of the texture and the molds, there is some slight variance. It’s best to install these into a bed of mortar and then use a level to level each piece ensuring it’s at the same elevation as the rest of the hearthstones.

SKU	COLOR
SCAS70270	GRAY
SCAS70280	CHARCOAL
SCAS70290	IVORY
SCAS70300	SANDSTONE

UOM	Weight	Pcs / Box	Weight / Crate
EACH	40	40	1600



\*\* All dimensions are nominal \*\*

SKU	COLOR	WEIGHT / KIT
SCAS-CK53-005	Cliff Ledge Column Kit	230
SCAS-CK50-010	Ridge Cut Column Kit	230

**Description:**

The total kit weight is 230#.

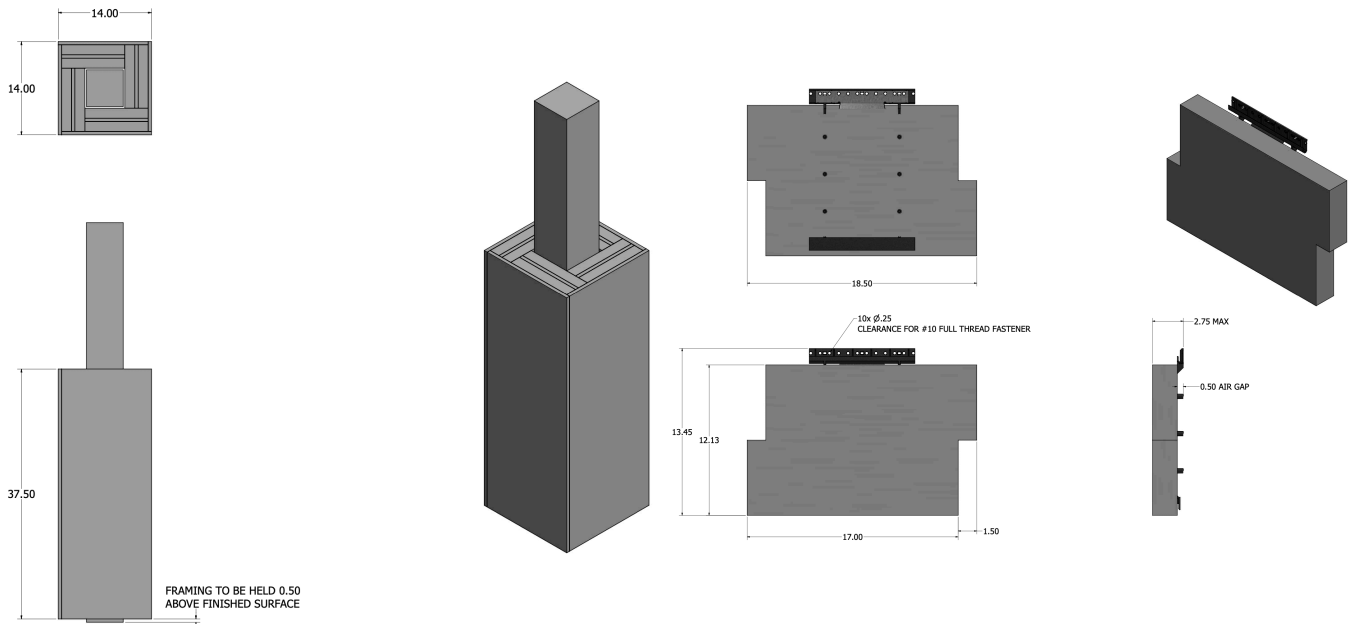
When ordering a column kit, the post size, stone selection, and cap color need to be specified.

**Post Sizes Available:**

- 4x4
- 6x6 (same framing - different cap)
- 8x8

**Kit includes:**

- Zip Board Framing
- 30' Roll Zip Tape
- 12 - 7" screws
- 4 - Starter Strip (12" each)
- 12 - Stone Panels
- Pre-Cut Cap

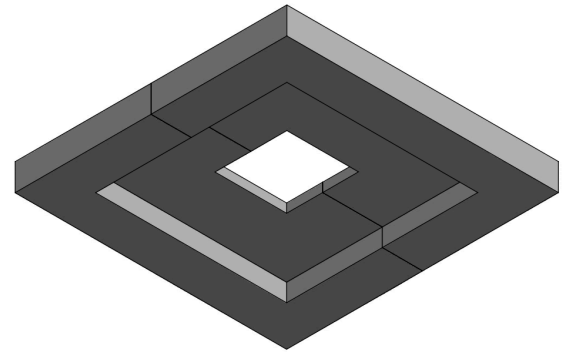
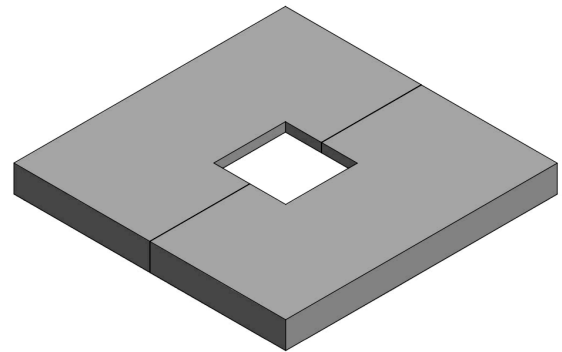
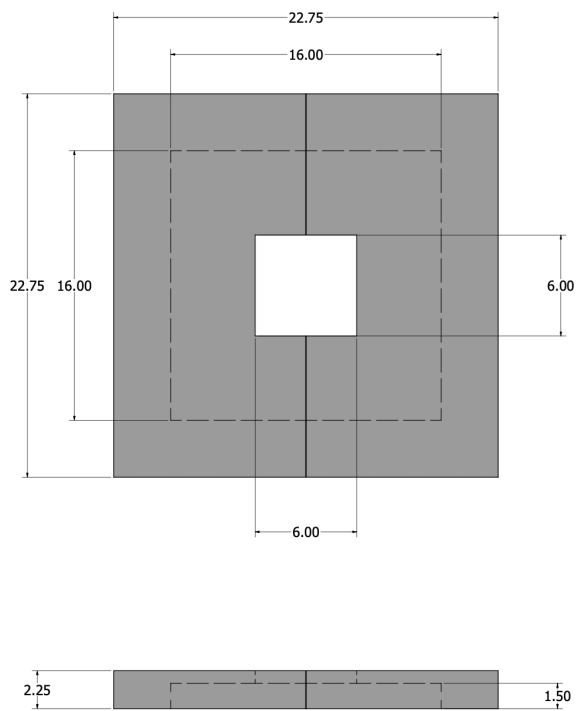


\*\* All dimensions are nominal \*\*

**Description:**

The outside dimensions of the pre-cut cap are all the same for all sizes. The flat surface has an OD of 22" with the texture reaching just beyond that as seen on the measurements below.

The cutout (for the post) is the only thing that changes. The cap is available in all four accessory colors.

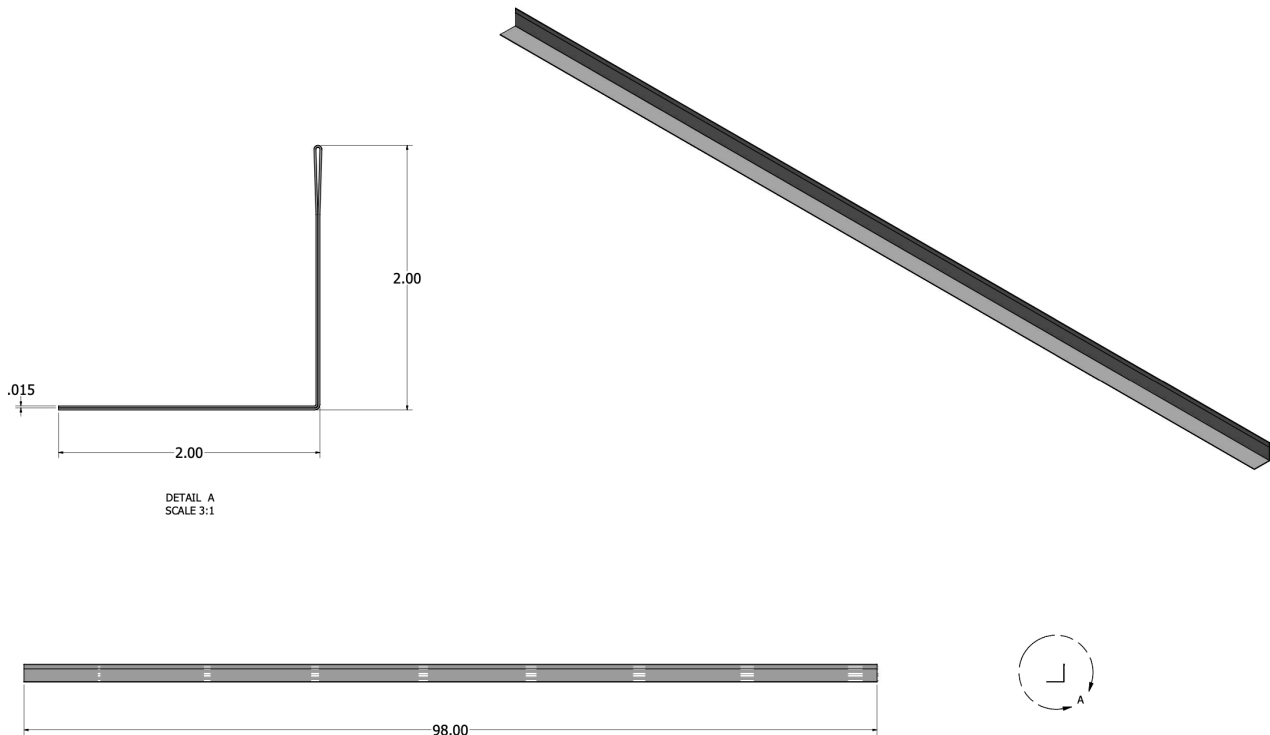


\*\* All dimensions are nominal \*\*

SKU	Color	Description	Length	Weight per piece
SCAF-TR200-098	BLACK	2"X2"	98"	3.4
SCAF-TR201-098	GRAY	2"X2"	98"	3.4
SCAF-TR202-098	STONE	2"X2"	98"	3.4
SCAF-TR203-098	CLAY	2"X2"	98"	3.4

**Description:**

The Metal Edge Trim is used when rain screen (air gap behind panel) is exposed.

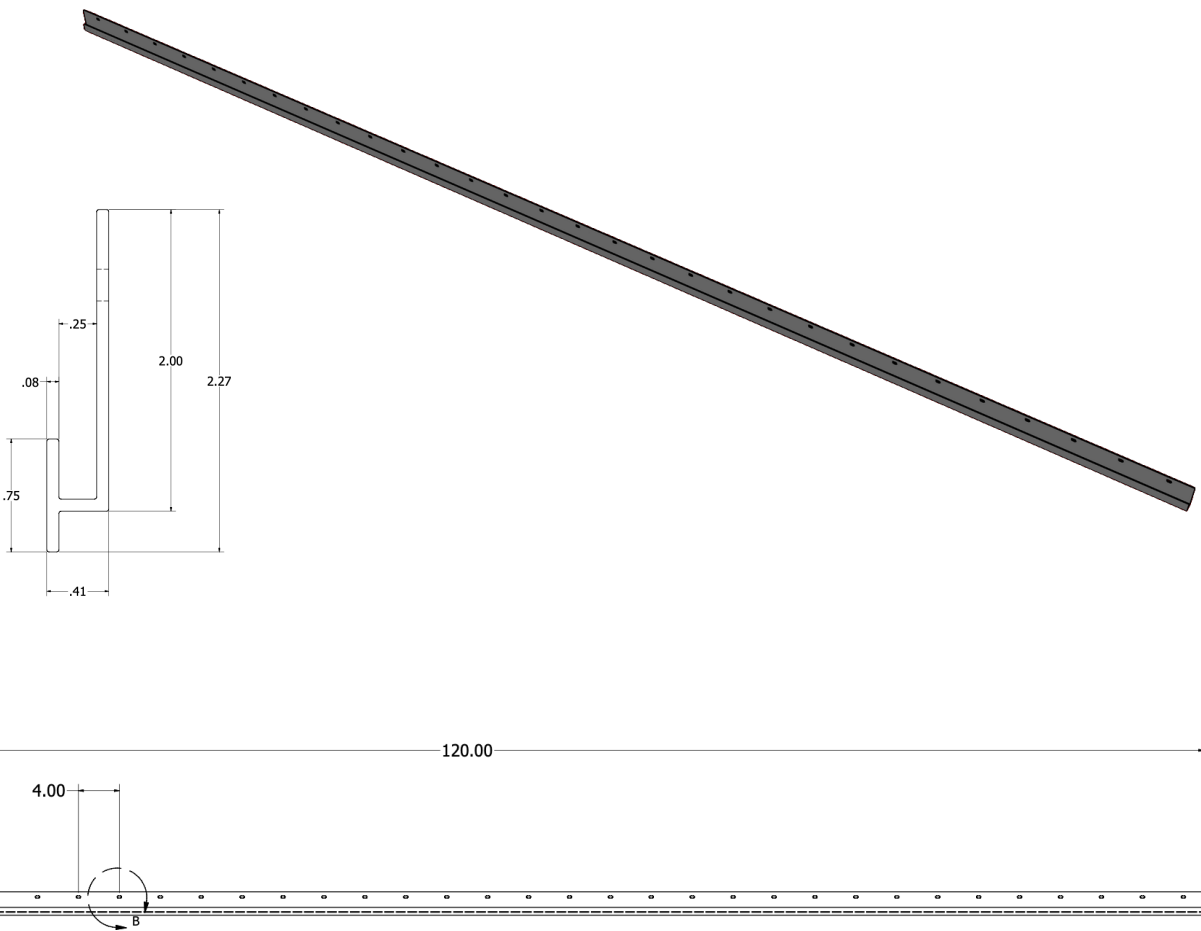


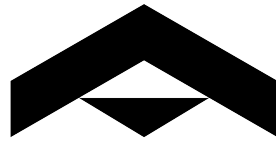
SKU	Color	Description	Length	UOM	Weight
5213-CE00130	BLACK	2.25" x 120"	120"	Each	1.4

Pcs per Box	Weight per box	Boxes / Pallet	Weight / Pallet (Incl packaging crate)
25	34	36	1402

**Description:**

The function of the starter strip is to hold the bottom of the stone panel on the first course tight to the wall. It is non-load bearing. The nailing strip at the top of the stone panel bears the weight of the stone.





**AFFINITY**

STONE SIDING

[www.AffinityStone.com](http://www.AffinityStone.com)

Manufactured by Stone Creek Products, LLC  
366 E SR 133, Arthur, IL, 61911  
T: (217) 543-3875 F: (217) 543-3877